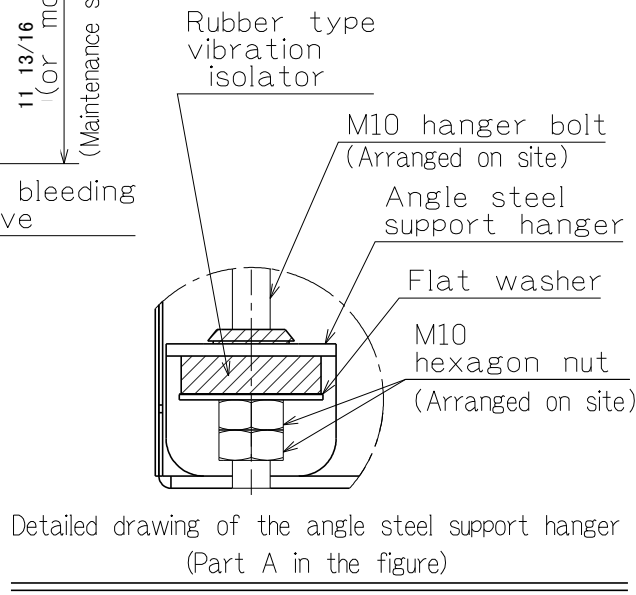
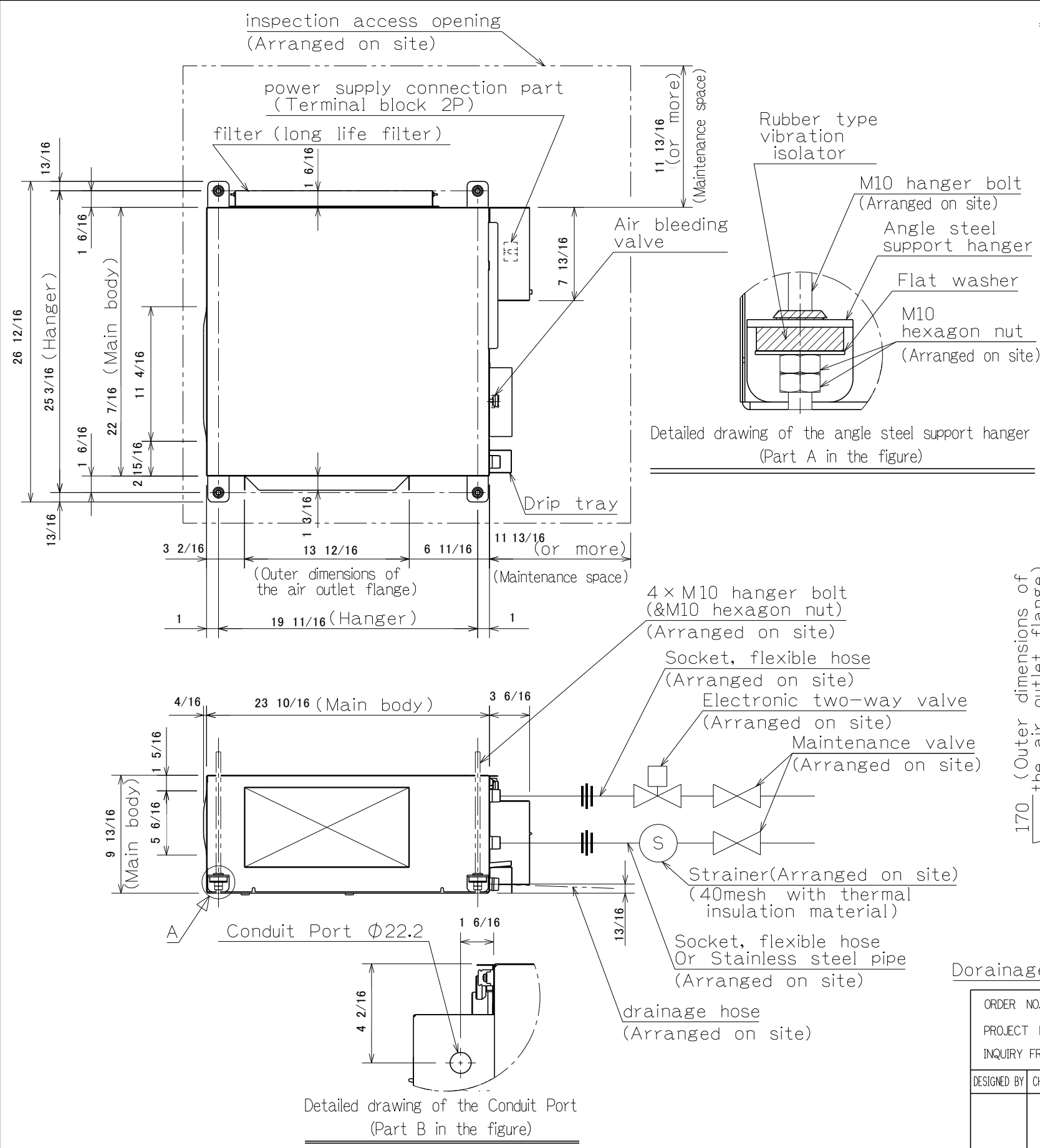


APPROVED . . .
 CHECKED . . .
 20231226
 DESIGNED
 DRAWN . . .



Note

1:For replacement purposes,place an inspection access opening on the ceiling just below the main unit body. When an inspection access opening cannot be placed, the ceiling finish work should be carried out in a way that ensures the replacement of the main body is possible.Secure normal maintenance space in accordance with the dimensions indicated in the figure,and do not place any obstacles in the immediate surroundings or below the unit.

2:Because the electronic three-way valve is built into the main body,clean the inside of the chilled/hot water pipe well by flashing water before use. Because the entry of dust,etc. inside the main body may prevent the electric three-way valve from working normally,it is recommended that a strainer (40mesh)(Arranged on site) should be placed at the chilled/hot water inlet of each main body. In addition,stainless piping(arranged on site)is required from chilled/hot water inlet to the strainer for prevention of red rust.

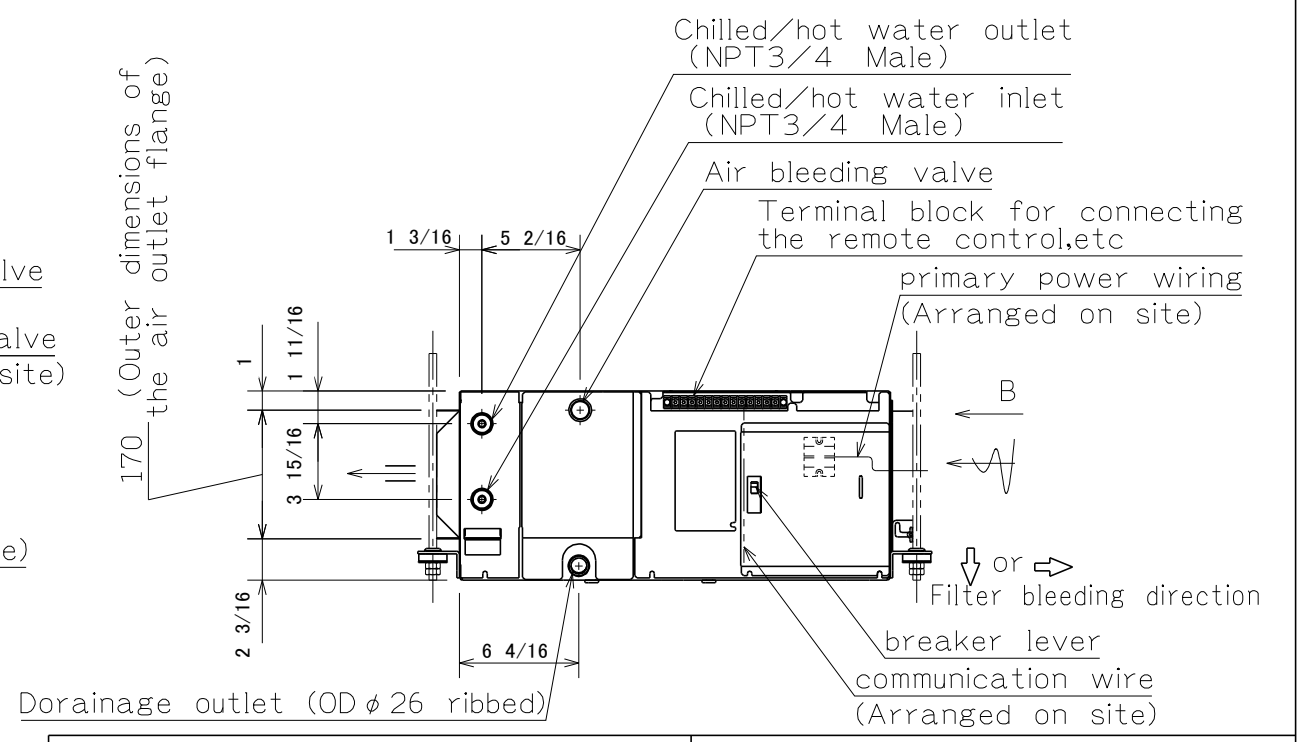
3:Ensure that chilled water should be flowing after turning on the electricity for the unit. If chilled water has been flowing for a long time before turning on the electricity, this may cause dew condensation or water leakage.

4:Be careful not to let the drain hose connected to the drain pipe become a trap.

5:Ensure that the inclination of the drainage pipes is 1/100 or greater.

6:Be sure to apply thermal insulation to the chilled/hot water pipes and drainage pipe.

7:Please construct the air outlet duct with glass wool lining or glass wool duct. The recommended specifications for glass wool are density 64kg/m³ and thickness 1inch



ORDER NO. _____				
PROJECT NAME _____				
INQUIRY FROM _____				
DESIGNED BY	CHECKED BY	APPROVED BY	DATE	SCALE
				Not to scale

PMAC

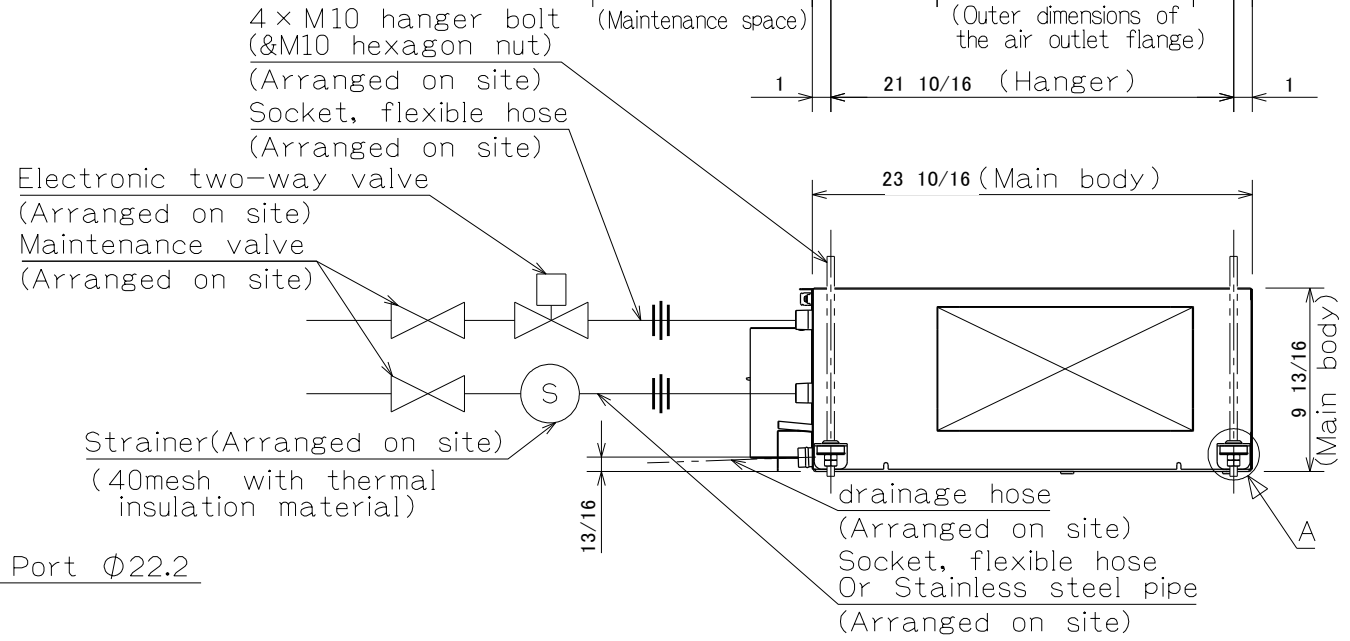
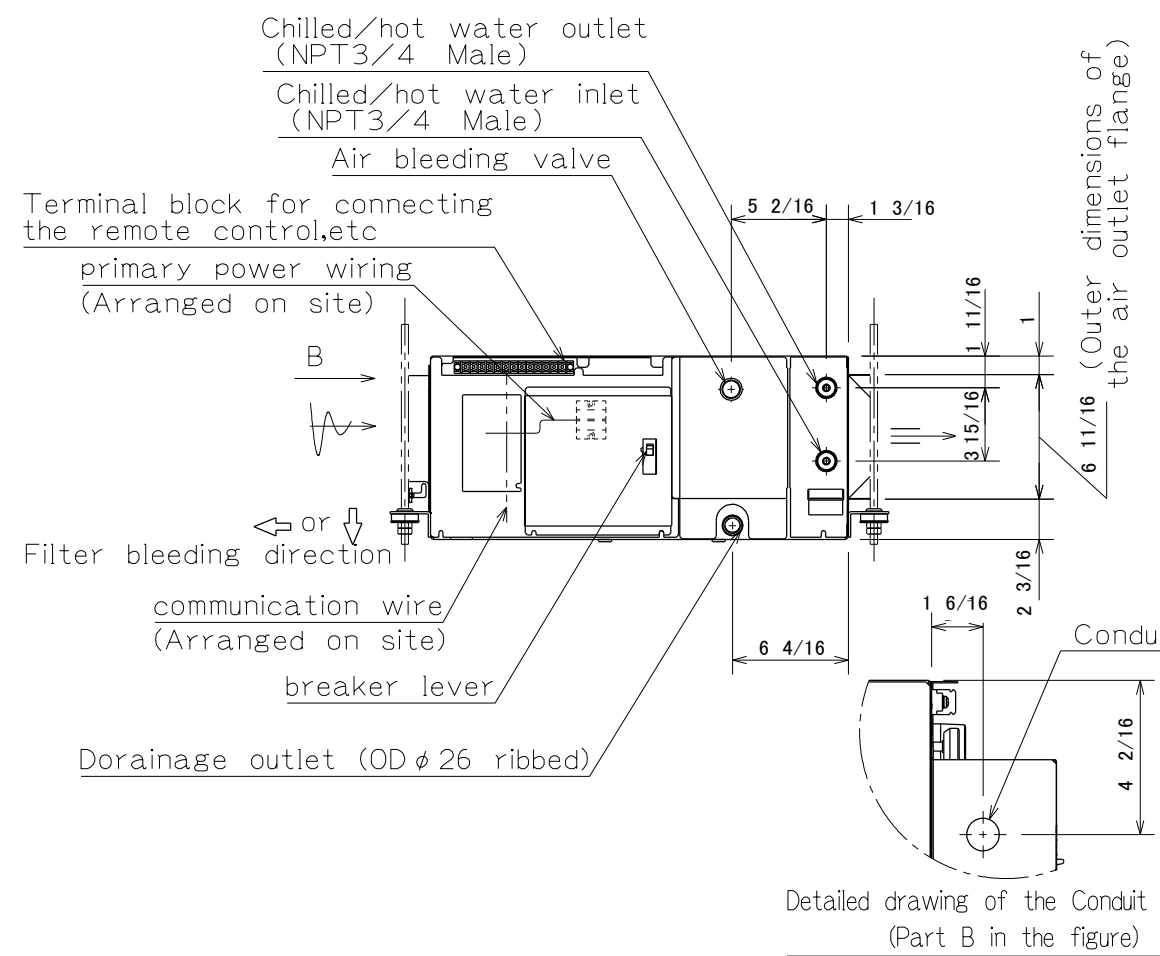
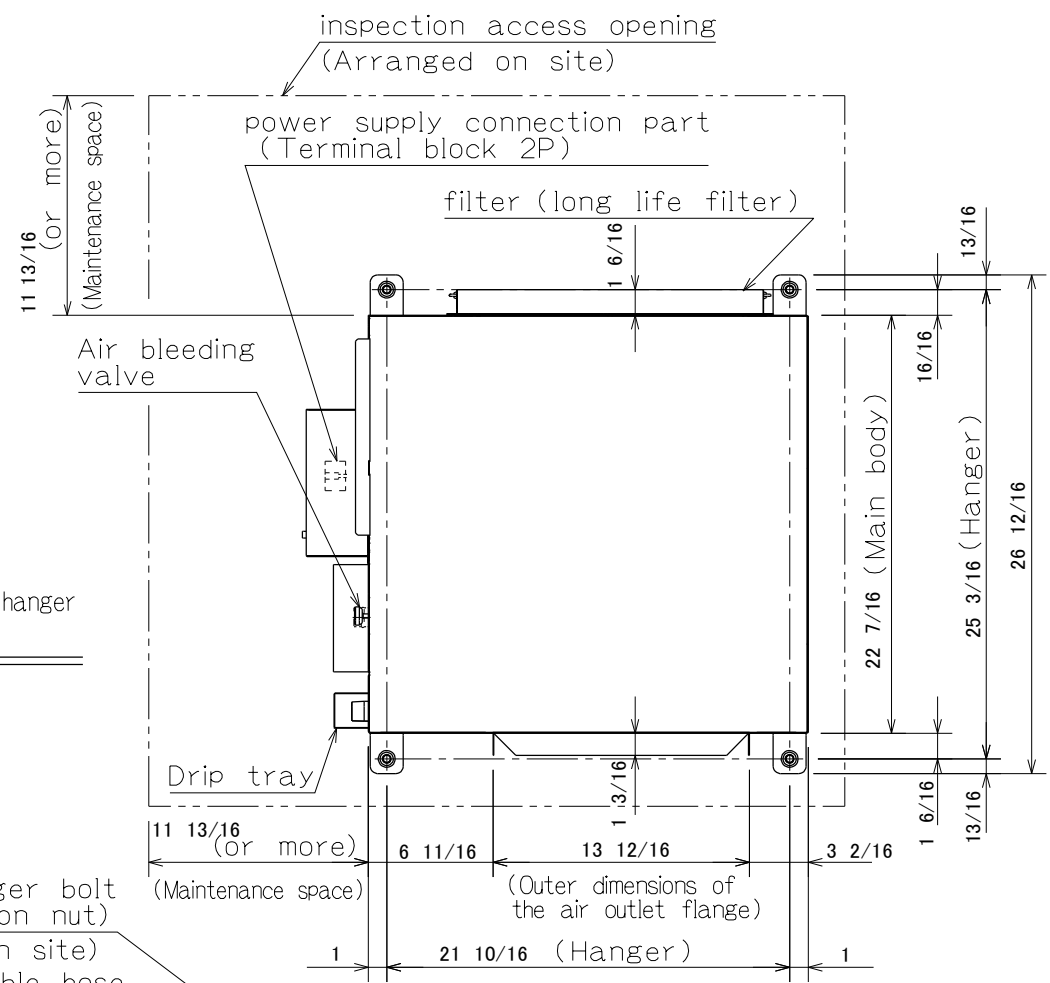
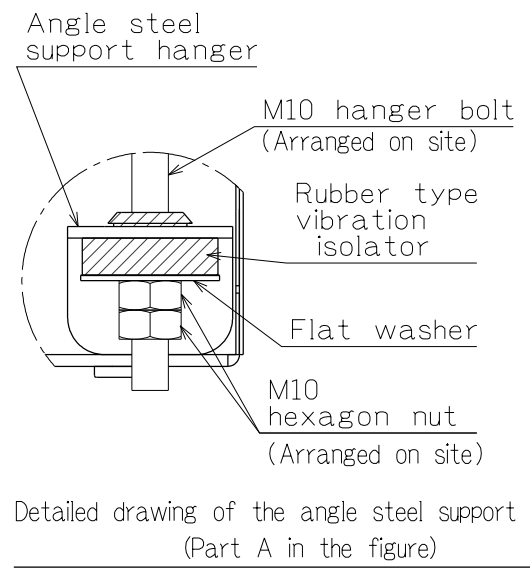
FBP13AA L
Pipe tapping on the left side (L type)
Main body dimensional drawing

DRAWING NUMBER 52-07-040

APPROVED. CHECKED. DESIGNED. DRAWN. 20231226

Note

- 1:For replacement purposes,place an inspection access opening on the ceiling just below the main unit body. When an inspection access opening cannot be placed, the ceiling finish work should be carried out in a way that ensures the replacement of the main body is possible.Secure normal maintenance space in accordance with the dimensions indicated in the figure,and do not place any obstacles in the immediate surroundings or below the unit.
- 2:Because the electronic three-way valve is built into the main body,clean the inside of the chilled/hot water pipe well by flashing water before use.
Because the entry of dust,etc. inside the main body may prevent the electric three-way valve from working normally,it is recommended that a strainer (40mesh)(Arranged on site) should be placed at the chilled/hot water inlet of each main body.
In addition,stainless piping(arranged on site)is required from chilled/hot water inlet to the strainer for prevention of red rust.
- 3:Ensure that chilled water should be flowing after turning on the electricity for the unit.
If chilled water has been flowing for a long time before turning on the electricity, this may cause dew condensation or water leakage.
- 4:Be careful not to let the drain hose connected to the drain pipe become a trap.
- 5:Ensure that the inclination of the drainage pipes is 1/100 or greater.
- 6:Be sure to apply thermal insulation to the chilled/hot water pipes and drainage pipe.
- 7:Please construct the air outlet duct with glass wool lining or glass wool duct.
The recommended specifications for glass wool are density 64kg/m³ and thickness 1 inch



ORDER NO. _____		PMAC	
PROJECT NAME _____			
INQUIRY FROM _____		NAME FBP13AA L Pipe tapping on the right side (R type) Main body dimensional drawing	
DESIGNED BY _____	CHECKED BY _____	APPROVED BY _____	DATE _____
		SCALE Not to scale	
		DRAWING NUMBER 52-07-060	